



045 932 8196

1, Seller Street, Maclear, 5480

086 216 8784

kwaneles@elundini.gov.za

Dear Sir / Madam

REQUEST FOR FORMAL WRITTEN PRICE QUOTATIONS

Kindly furnish me with a written quotation for the supply of materials as detailed in the enclosed list.

The quotation must be submitted on the letterhead of your business **must** be deposited in the tender box situated in 1 Seller Street Maclear, Finance Department, Cashier Reception area before 12h00 on the 17 November 2017. For **queries** please email to kwaneles@elundini.gov.za or faxed to 086 216 8784

For Technical Queries: Mr K Sokhawukile
For Supply Chain Queries: Mr. K. Sobekwa

Tel: 045 932 8154
Tel: 045 932 8196

SUPPLY AND DELIVERY OF REL SKIP BINS : ELM-5/013/2017-2018

The following mandatory documents must be submitted with the quotation and failure to submit will lead to the bids being declared non-responsive:

- Price(s) quoted must be valid for at least thirty (30) days from date of your offer.
- Price(s) quoted must be firm and must be inclusive of VAT.
- **Valid Tax Clearance Certificate OR** Tax Compliance status documents with PIN from SARS.
- Proof of registration with Web Central Supplier Database (A bidder must attach CSD registration report with Supplier No. and Unique Code)
- Original B-BBEE Certificate or a certified copy thereof (Joint venture, consortium or trust must submit a consolidated certificate) Failure to submit this certificate will lead into not getting points for B-BBEE Level) or Sworn Affidavit confirming BBBEE Level.
- Completed MBD 4, MBD 6.1, MBD 6.2, MBD 8 and MBD 9 (downloadable on the website and found at Supply Chain Office).
- A statement of Municipal Account that is not older than three months or Lease Agreement OR Affidavit from SAPS stating that the bidder is not obliged to pay municipal rates OR a letter from a ward councillor.
- Joint Venture must also attach the JV agreement, original or certified copy of consolidated BBBEE certificate and the letter of signatory.

NB: No quotations will be considered from persons in the service of the state¹

BIDDERS SHOULD TAKE NOTE OF THE FOLLOWING BID CONDITIONS:

- The Elundini Local Municipality Supply Chain Management Policy will apply;
- The Elundini Local Municipality does not bind itself to accept the lowest bid or any other bid and reserves the right to accept the whole part of the bid;
- If correct delivery is not received by the indicated agreed date the contract will immediately be terminated.
- Only locally produced service or goods or locally manufactured goods meet the stipulated minimum threshold for local production and content. The bid will be evaluated on local production content threshold is 100%.
- The local content (LC) expressed as a percentage as a percentage of the bid price must be calculated in accordance with the SABS approved technical specification number SATS 1286:2011 as follows:

$$LC = (1-x/y)*100$$

Where

X is the imported content in Rand

Y is the bid price in Rand excluding value added tax (VAT)

- Bids which are late, incomplete, unsigned, will not be accepted;
- Bids submitted are to hold good for a period of 30 days;
- Bidders will be required to register as a supplier/service provider on the ELM's Supplier/Service Provider Database, if not already registered
- The latest General Conditions of Contract and any Special Conditions of Contract will apply.
- Upon submission of a bid/quote the bidder automatically grants confirmation that SARS may, on ongoing basis during the contract term the bidder's tax compliance status to the municipality.
- Failure to comply with these conditions may invalidate your offer.

Yours faithfully

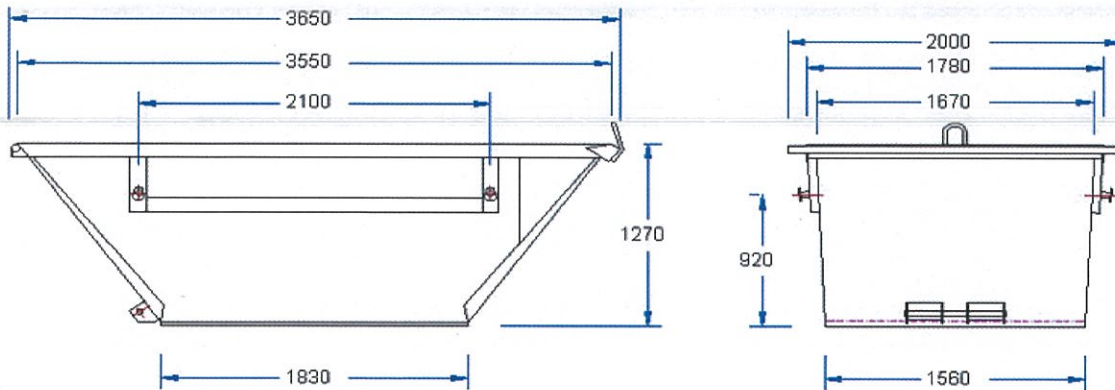
SIGNATURE _____

DATE _____

SPECIFICATION

QUANTITY	SIZE	DETAILS
4	(5.5) 6m ³ REL Skip Bins	<ul style="list-style-type: none">• The skips must be manufactured from 4.5 mm thick Steel. The bin must be built so that all the edges overlap each other to give the bin strength.• The floor must be pressed into an IBR form, giving high strength and keeping the weight of the bin low.• The front & back of the bins must be tapered to allow the bins to be stacked for easy transportation.• The lifting lugs on the sides of the bin are forged from solid bar.• Addition of a 50mm diameter round bar welded to one side of the skip and a lifting ring made from 25mm diameter round bar at the opposite end.

5.5m³ REL Bin Dimensions



EVALUATION CRITERIA

The 80/ 20 preferential procurement point system will be applied as the project is estimated to be more than R30, 000.00

Price - 80 points

B-BEE status level of Contribution - 20 points

BBBEE Points Breakdown:

LEVEL	POINTS AWARDED
1	20
2	18
3	14
4	12
5	8
6	6
7	4
8	2
Non-compliant	0

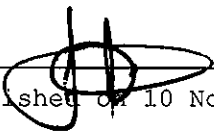
DELIVERY ADDRESS:

Elundini Local Municipality

No.1 Seller Street,

Maclear

5480


Published on 10 November 2017